



EAGLE MANUFACTURING

WWW.EAGLETRUCKACCESSORIES.COM

INSTALLATION INSTRUCTIONS

4" Oval Bent End Side Bar

19-21 SILVERADO 1500 DOUBLE CAB (Incl. Diesel models with DEF tanks & Excl. Body Lift Kit and 2019 Silverado 1500 LD) (Body Mount)

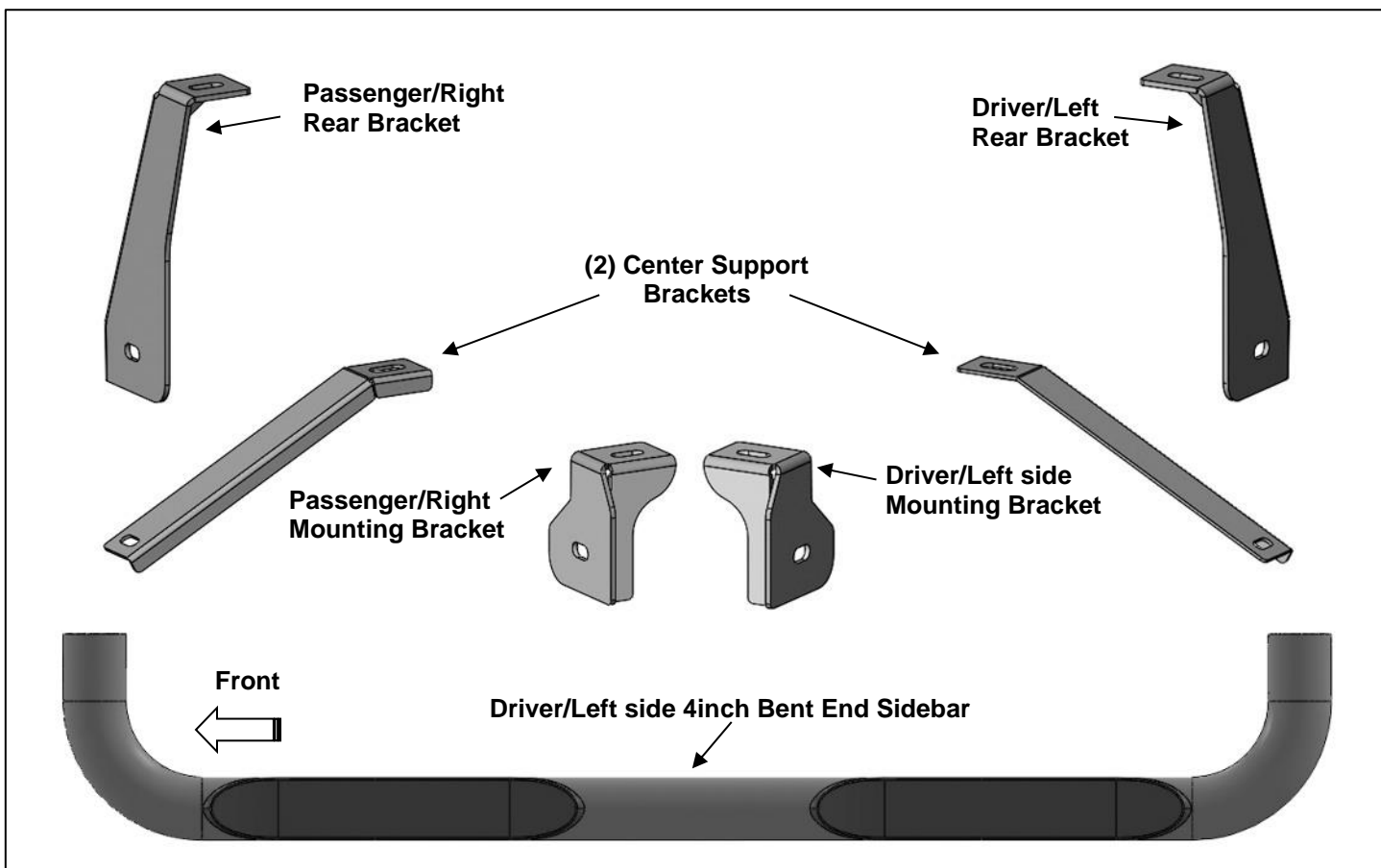
20-21 SILVERADO 2500/3500 DOUBLE CAB (Incl. Diesel models with DEF tanks) (Body Mount)

PART# EAPW03136201 EAPW03136202BLK

4INCH OVAL BENT END SIDEBARS
2019-21 CHEVY SILVERADO/SIERRA 1500
(INCLUDES DIESEL MODELS W/DEF & EXCLUDES BODY LIFT KIT, 2019 SILVERADO 1500 LD AND 2019 SIERRA 1500 LIMITED)
2020-21 CHEVY SILVERADO/SIERRA 2500-3500 DOUBLE CAB
(INCLUDES DIESEL MODELS W/DEF)

PARTS LIST:

1	Driver/Left 4inch Oval Bent End Sidebar	1	Passenger/Right Rear Mounting Bracket
1	Passenger/Right 4inch Oval Bent End Sidebar	6	12mm x 24mm x 2.5mm Small Flat Washers
1	Driver/Left Front Mounting Bracket	4	1/2" x 2" Hex Bolts
1	Passenger/Right Front Mounting Bracket	4	1/2" Lock Washers
2	Center Support Brackets	4	1/2" x 1-1/2" OD x 1/8" Large Flat Washers
1	Driver/Left Rear Mounting Bracket	2	8-1.25mm x 25mm Combo Bolts



PROCEDURE:

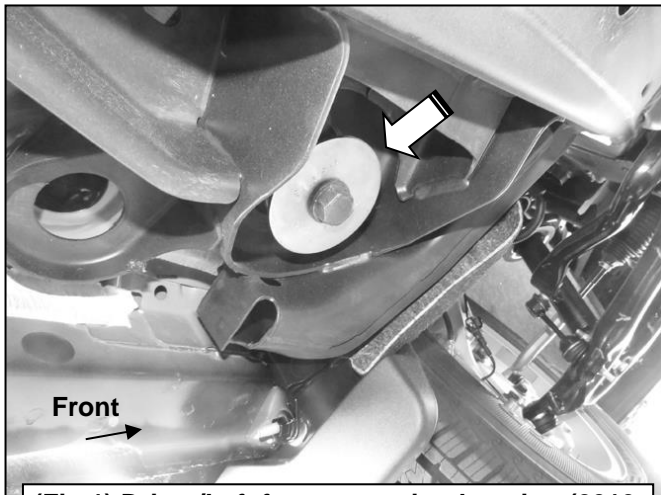
REMOVE CONTENTS FROM BOX. VERIFY ALL PARTS ARE PRESENT. READ INSTRUCTIONS CAREFULLY BEFORE STARTING INSTALLATION. ASSISTANCE IS RECOMMENDED.

1. Start the installation under the Driver/Left side of the vehicle. Locate the front body mount. Remove the front body bolt. **Note:** 2019 1500 models have a factory flat body washer. 2020 25-3500 models have a factory cupped body washer and require a 12mm Flat Washer to create a flat surface for Mounting Bracket installation, **(Figures 1 & 2)**.
2. Select the Driver/Left Front Bracket. Line up the upper slot on the Bracket with the body bolt hole. **Determine the model of the vehicle**
 - a. **For 2019 models** Reuse the factory body bolt to attach the Bracket to the top of the body mount. **(Figures 3 & 4)**.
 - b. **For 2020 models** Reuse the factory body bolt and (1) 12mm x 24mm Small Flat Washer to attach the Bracket to the top of the body mount. **(Figures 3 & 4)**.
3. Move to the center mounting location, **(Figure 5)**. Repeat **Steps 1 & 2** to attach (1) Center Support Bracket to the center body mount, **(Figures 6 & 7)**.

4. Move to the rear mounting location, (**Figure 8**). Repeat **Steps 1 & 2** to attach the Driver/Left Rear Mounting Bracket to the rear body mount, (**Figures 9 & 10**).
5. Carefully unwrap and select the Driver/Left Sidebar. Use the illustration above to help identify the correct Sidebar. With assistance, line up the front end of the tube with the front Bracket slot, (**Figure 11**). Use (1) 1/2" Hex Bolt, (1) 1/2" Lock Washer and (1) 1/2" Flat Washer to attach the front end of the Sidebar tube to the Front Bracket, (**Figure 12**). Do not tighten hardware at this time.
6. Attach the Sidebar to the Center Support Bracket using (1) 8mm Combo Bolt, (**Figures 13 & 14**). Do not tighten hardware at this time.
7. Repeat **Step 5** to attach the rear end of the Sidebar to the Rear Bracket, (**Figures 15 & 16**).
8. Level and adjust the Sidebar as necessary and fully tighten all hardware.
9. Repeat **Steps 1—8** for Passenger/Right Sidebar installation.
10. Do periodic inspections to the installation to make sure that all hardware is secure and tight.

To protect your investment, wax this product after installing. Regular waxing is recommended to add a protective layer over the finish. Do not use any type of polish or wax that may contain abrasives that could damage the finish. Mild soap may be used also to clean the Sidebar.

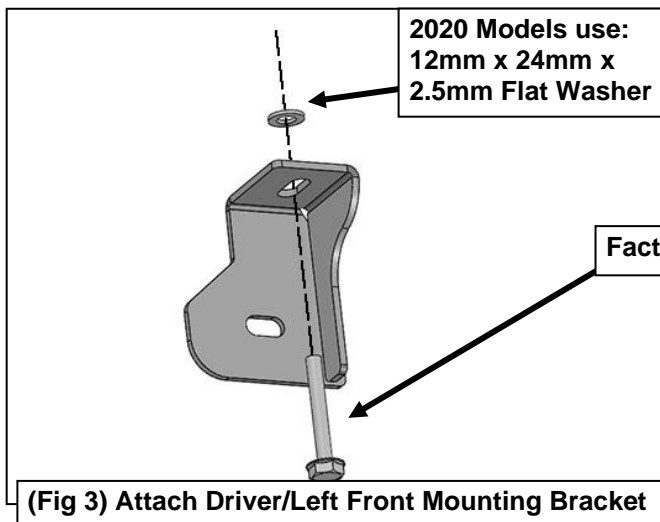
Driver/Left Side Installation Pictured



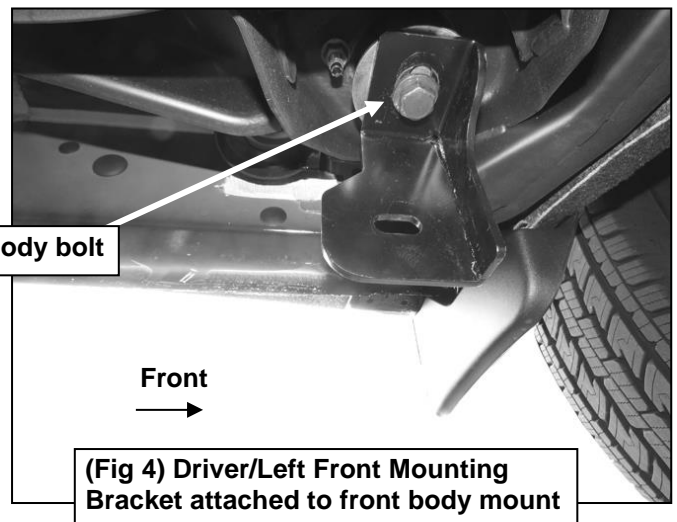
(Fig 1) Driver/Left front mounting location (2019 1500 model with flat body bolt washer shown)



(Fig 2) Driver/Left front mounting location (2020 25-3500 model with cupped body bolt washer shown)



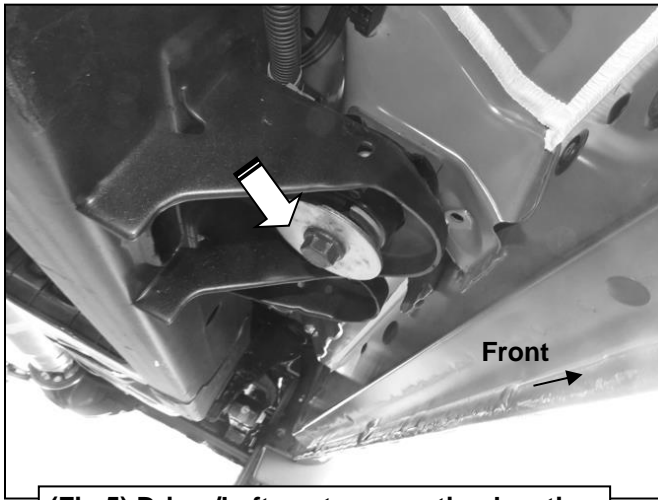
(Fig 3) Attach Driver/Left Front Mounting Bracket



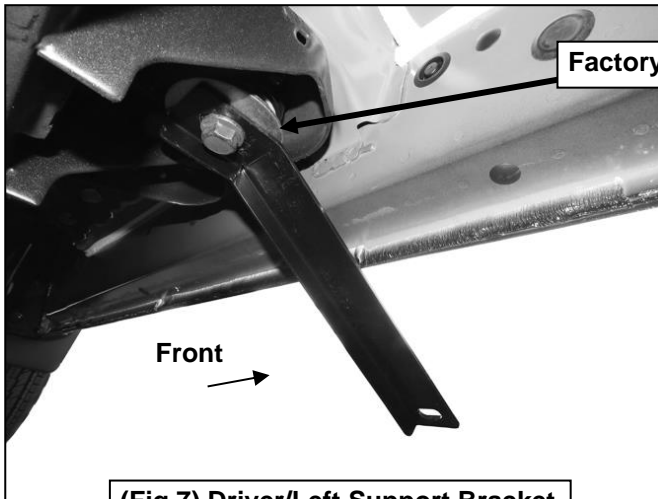
(Fig 4) Driver/Left Front Mounting Bracket attached to front body mount

4INCH OVAL BENT END SIDEBARS
2019-21 CHEVY SILVERADO/SIERRA 1500
(INCLUDES DIESEL MODELS W/DEF & EXCLUDES BODY LIFT KIT, 2019 SILVERADO 1500 LD AND 2019 SIERRA 1500 LIMITED)
2020-21 CHEVY SILVERADO/SIERRA 2500-3500 DOUBLE CAB
(INCLUDES DIESEL MODELS W/DEF)

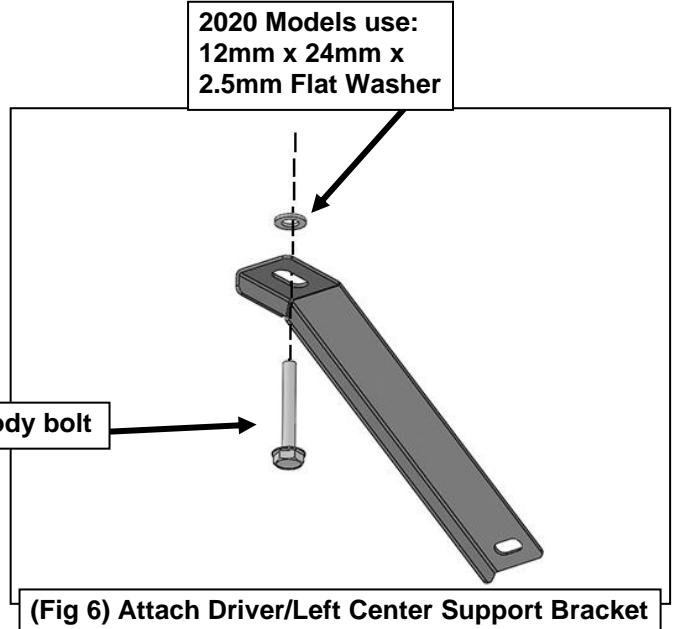
Driver/Left Side Installation Pictured



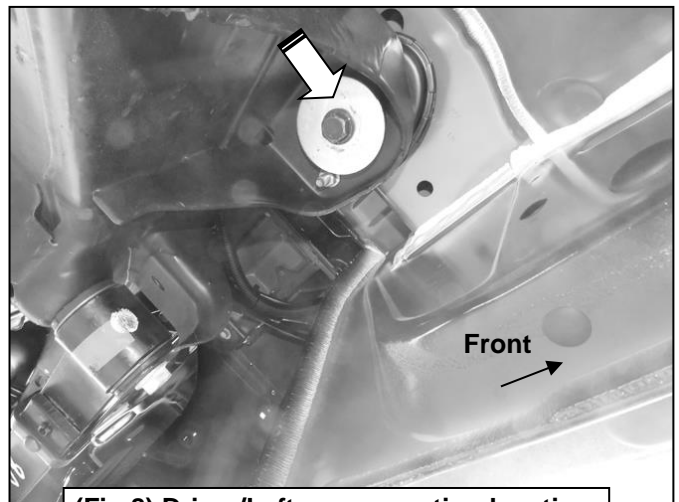
(Fig 5) Driver/Left center mounting location



(Fig 7) Driver/Left Support Bracket attached to center body mount

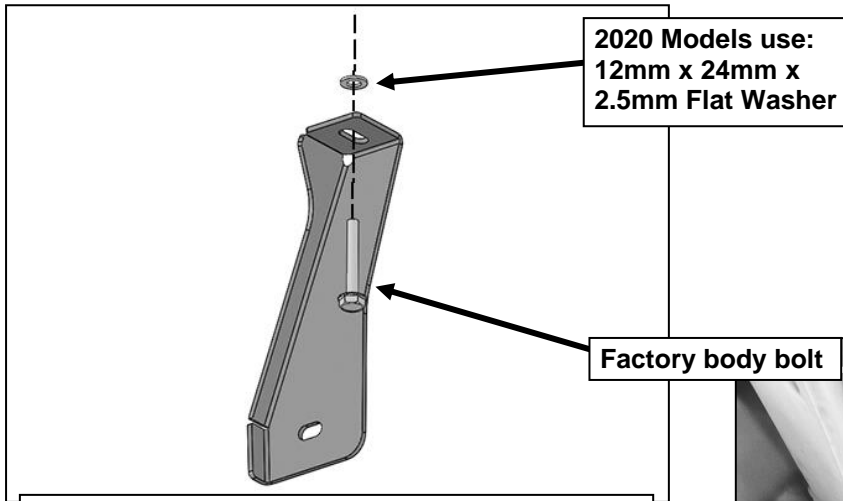


(Fig 6) Attach Driver/Left Center Support Bracket

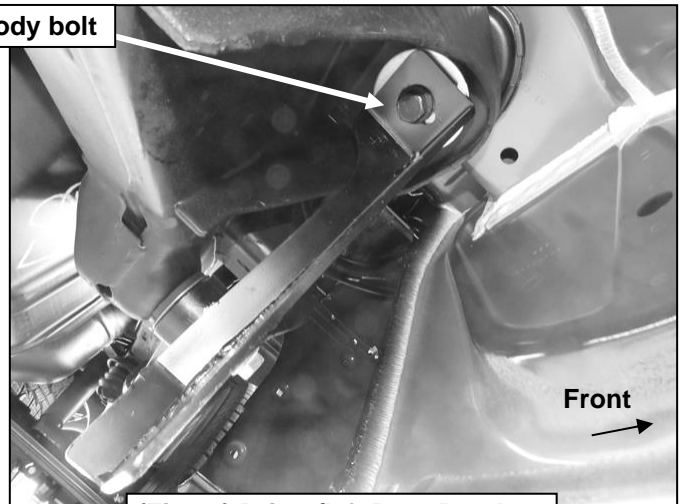


(Fig 8) Driver/Left rear mounting location

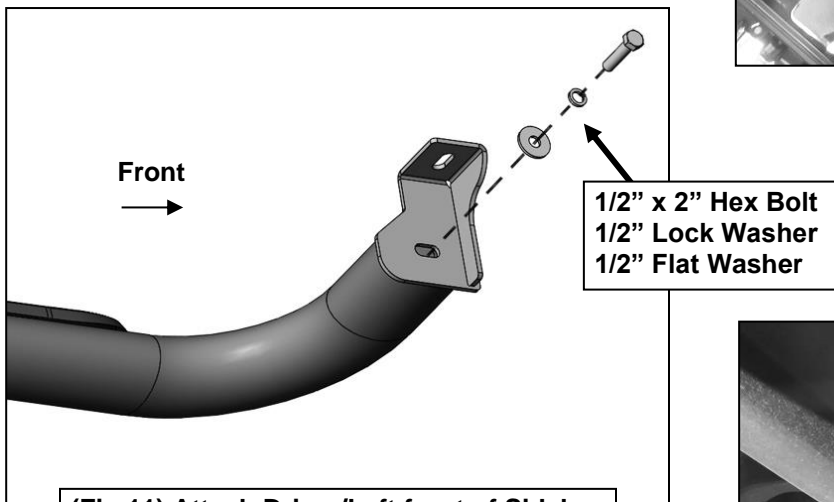
Driver/Left Side Installation Pictured



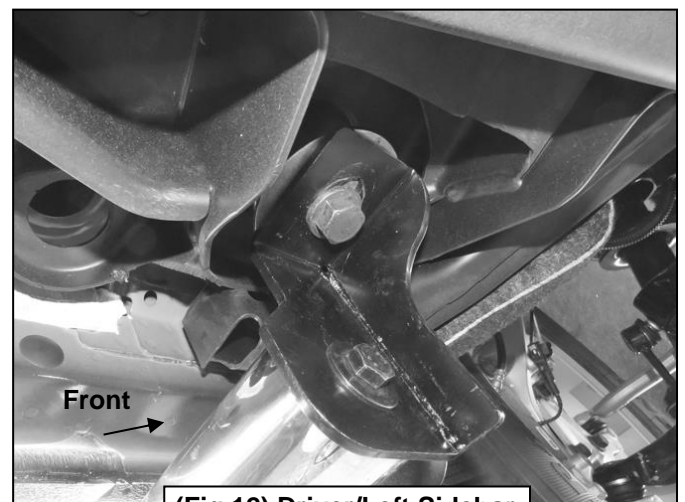
(Fig 9) Attach Driver/Left Rear Mounting Bracket



(Fig 10) Driver/left Rear Bracket attached to the rear body mount



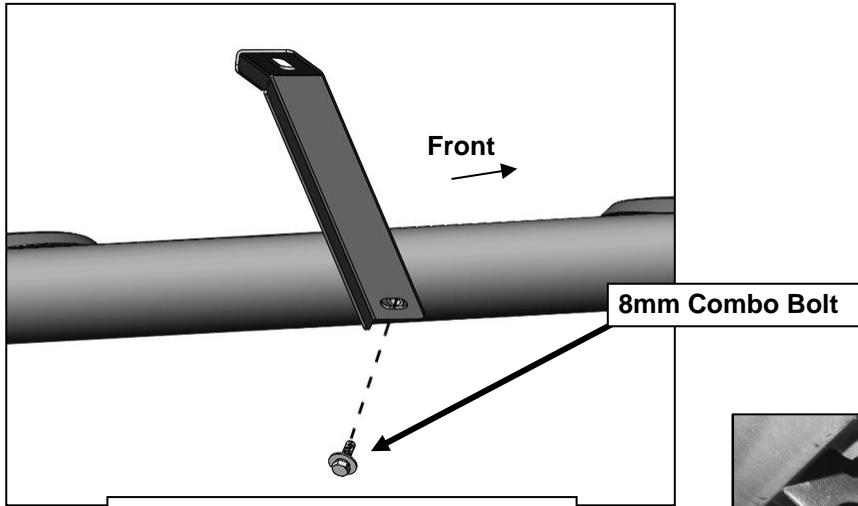
(Fig 11) Attach Driver/Left front of Sidebar attached to Front Mounting Bracket



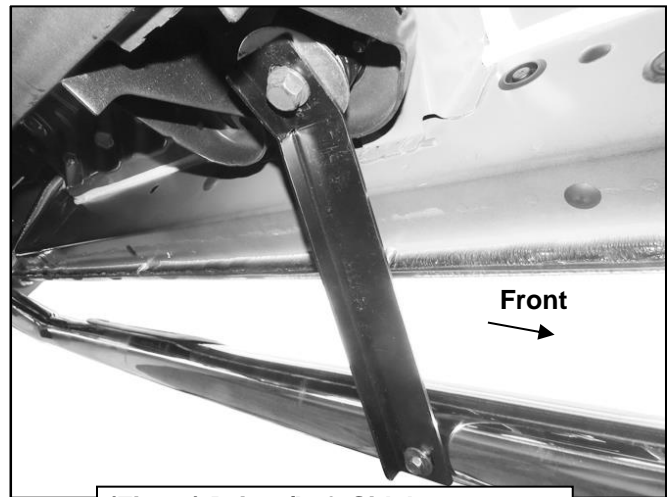
(Fig 12) Driver/Left Sidebar attached to Front Bracket

4INCH OVAL BENT END SIDEBARS
2019-21 CHEVY SILVERADO/SIERRA 1500
(INCLUDES DIESEL MODELS W/DEF & EXCLUDES BODY LIFT KIT, 2019 SILVERADO 1500 LD AND 2019 SIERRA 1500 LIMITED)
2020-21 CHEVY SILVERADO/SIERRA 2500-3500 DOUBLE CAB
(INCLUDES DIESEL MODELS W/DEF)

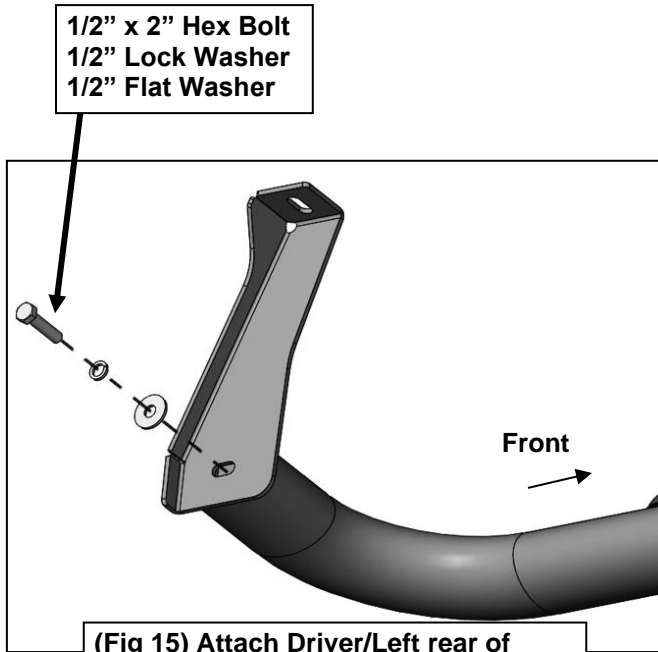
Driver/Left Side Installation Pictured



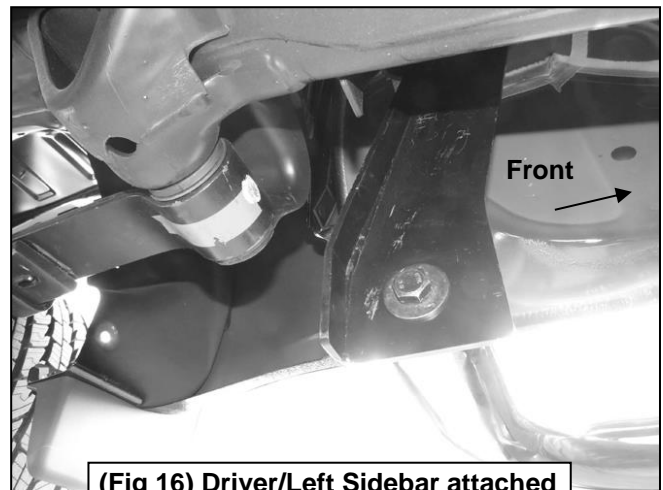
(Fig 13) Attach Driver/Left center of Sidebar to Center Support Bracket



(Fig 14) Driver/Left Sidebar attached to Center Support Bracket



(Fig 15) Attach Driver/Left rear of Sidebar to the Rear Mounting Bracket



(Fig 16) Driver/Left Sidebar attached to the Rear Mounting Bracket