



EAGLE SR COVER

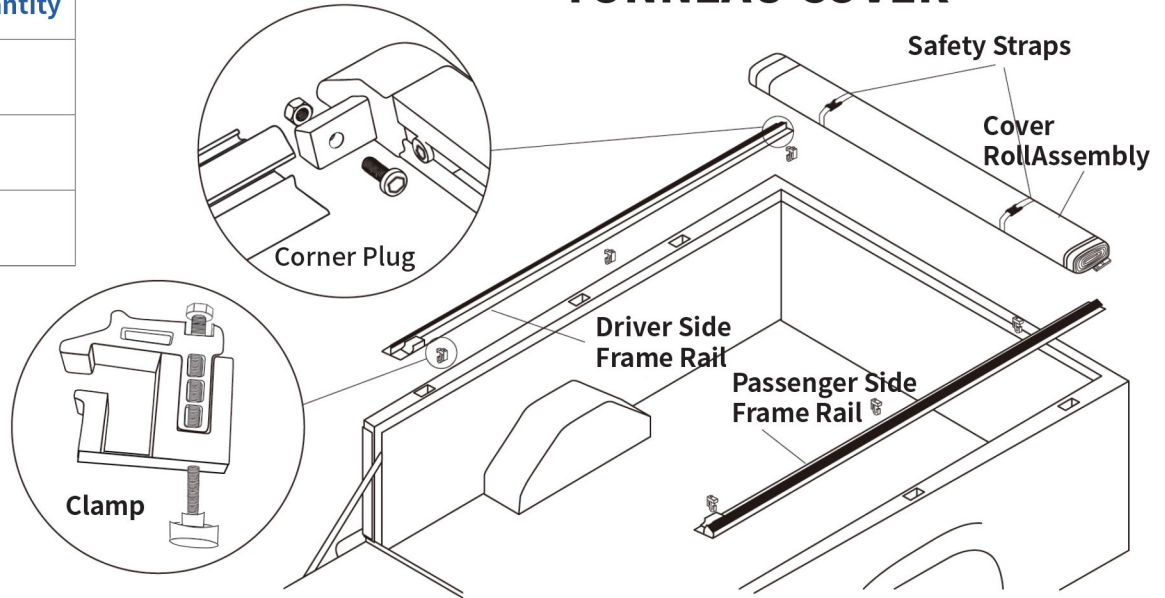
WWW.EAGLETRUCKACCESSORIES.COM

INSTALLATION SHEET

Parts will be shipped to you directly.
info@eagletruckaccessories.com

Bed Size	Clamp Quantity
5 ft	4
5.5-6.5 ft	6
8 ft	8

TONNEAU COVER



5.5-6.5 ft bed as shown

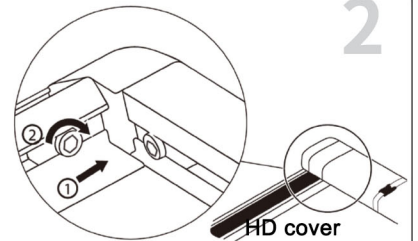
1 Wash & Clean

Clean the bulkhead before installation



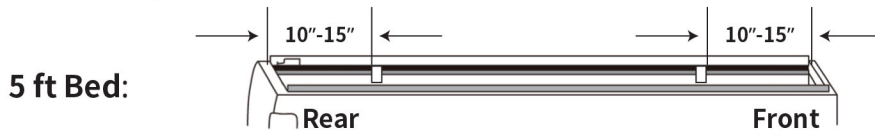
Assemble the Soft Cover Roll

Place the soft cover roll on the front truck bed rail. Insert the corner plug into the driver side frame rail and tighten the bolt. Following the same procedure to install the passenger side frame rail.



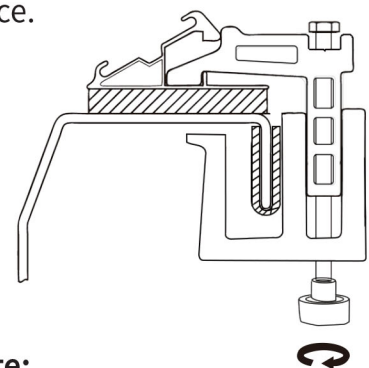
Secure the Frame Rail

Place the frame rail onto the bulkhead and adjust the frame rail to vertically level. Place clamps on each frame rail to keep the rail in place.



Tighten Clamps

Tighten clamps after all clamps in place.



Note:

Clamps may vary by specific vehicles. Periodic check to ensure all mounting hardware remains secure and tight.



EAGLE SR COVER

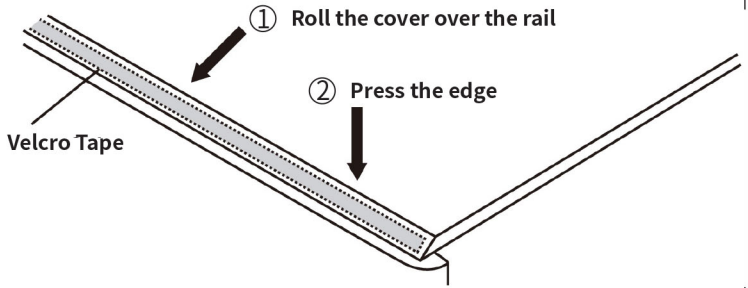
WWW.EAGLETRUCKACCESSORIES.COM

INSTALLATION SHEET

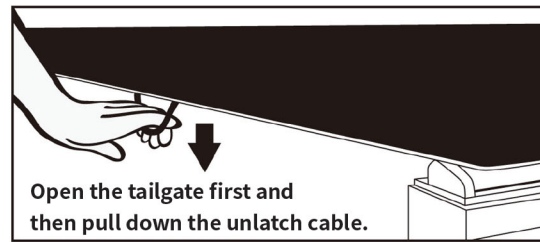
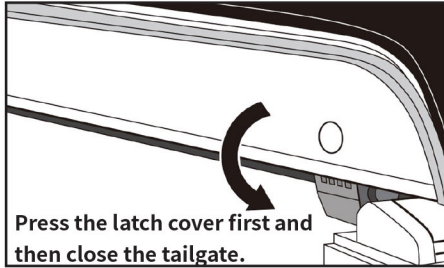
Parts will be shipped to you directly.
info@eagletruckaccessories.com

5 Secure by Velcro Tape

Release safety straps and roll out the cover. Roll the cover over the rail. Press the edge of the cover to stick the Velcro tape.

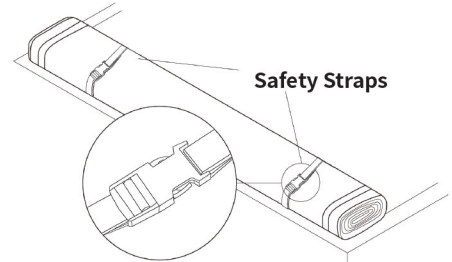


6 Latch and Unlatch the Cover



7 Roll up the Cover

Roll up the cover toward front easily. Make sure the cover rolled evenly and tight. Secure the cover roll by the safety straps.



8 Tension Control Unit

Eagle SR tonneau cover has been set a moderate tension to keep the cover tight and wrinkles free. If you wish to adjust the tension, simply loosen the sink head bolt on the tension plate and slide the plate.

