

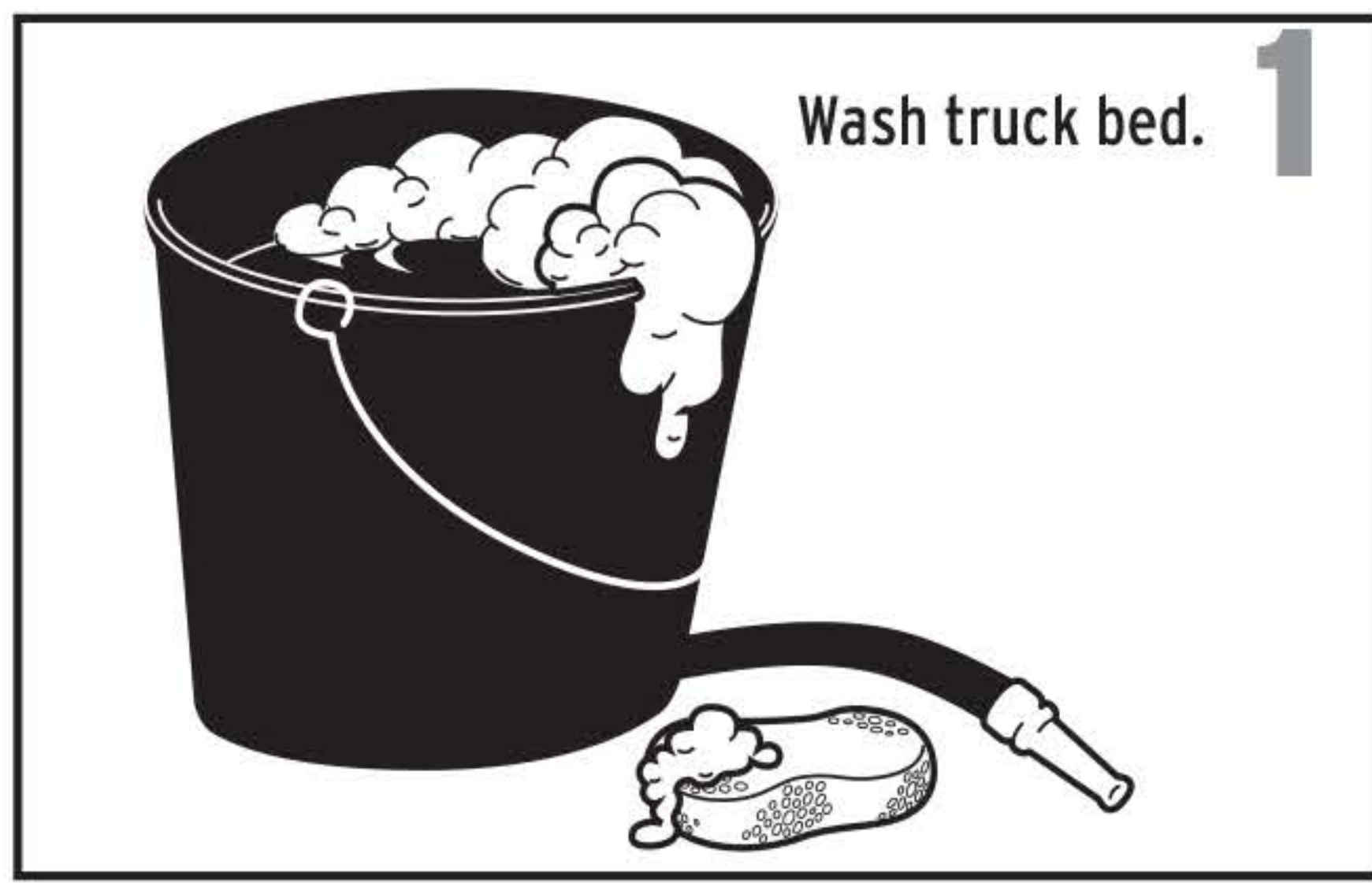


EAGLE SF COVER

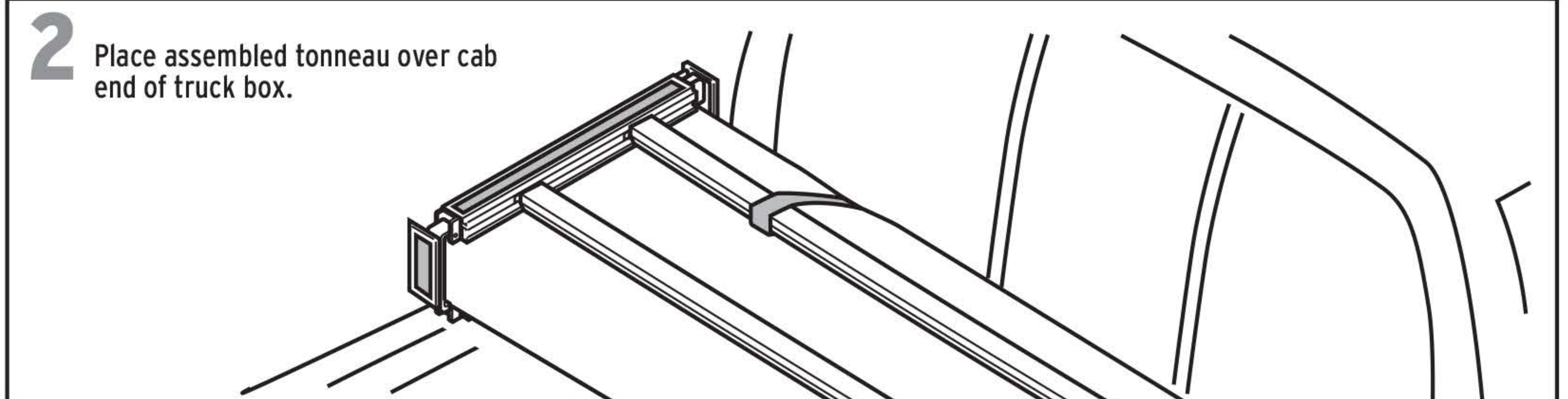
WWW.EAGLETRUCKACCESSORIES.COM

INSTALLATION SHEET

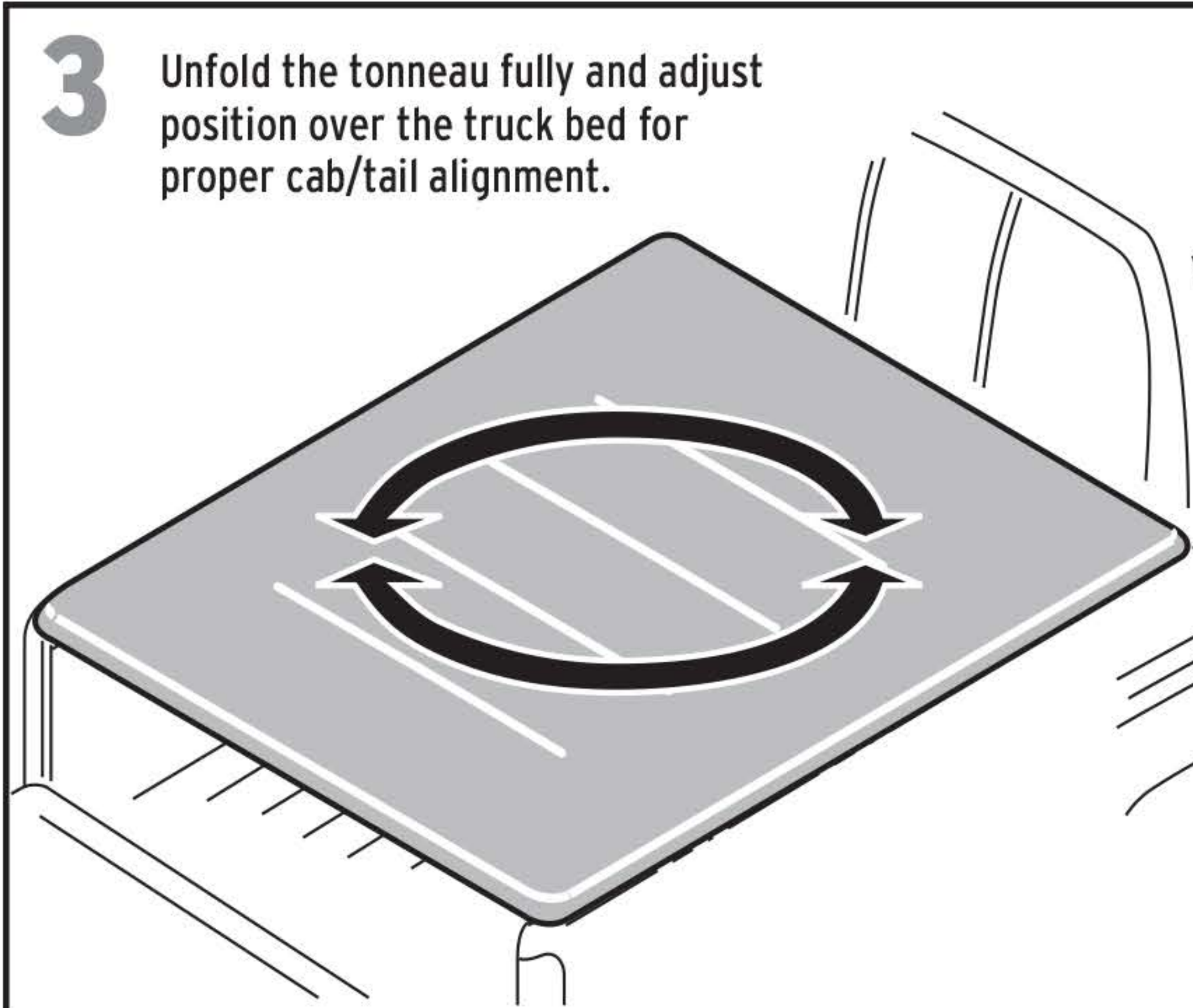
Parts will be shipped to you directly.
info@eagletruckaccessories.com



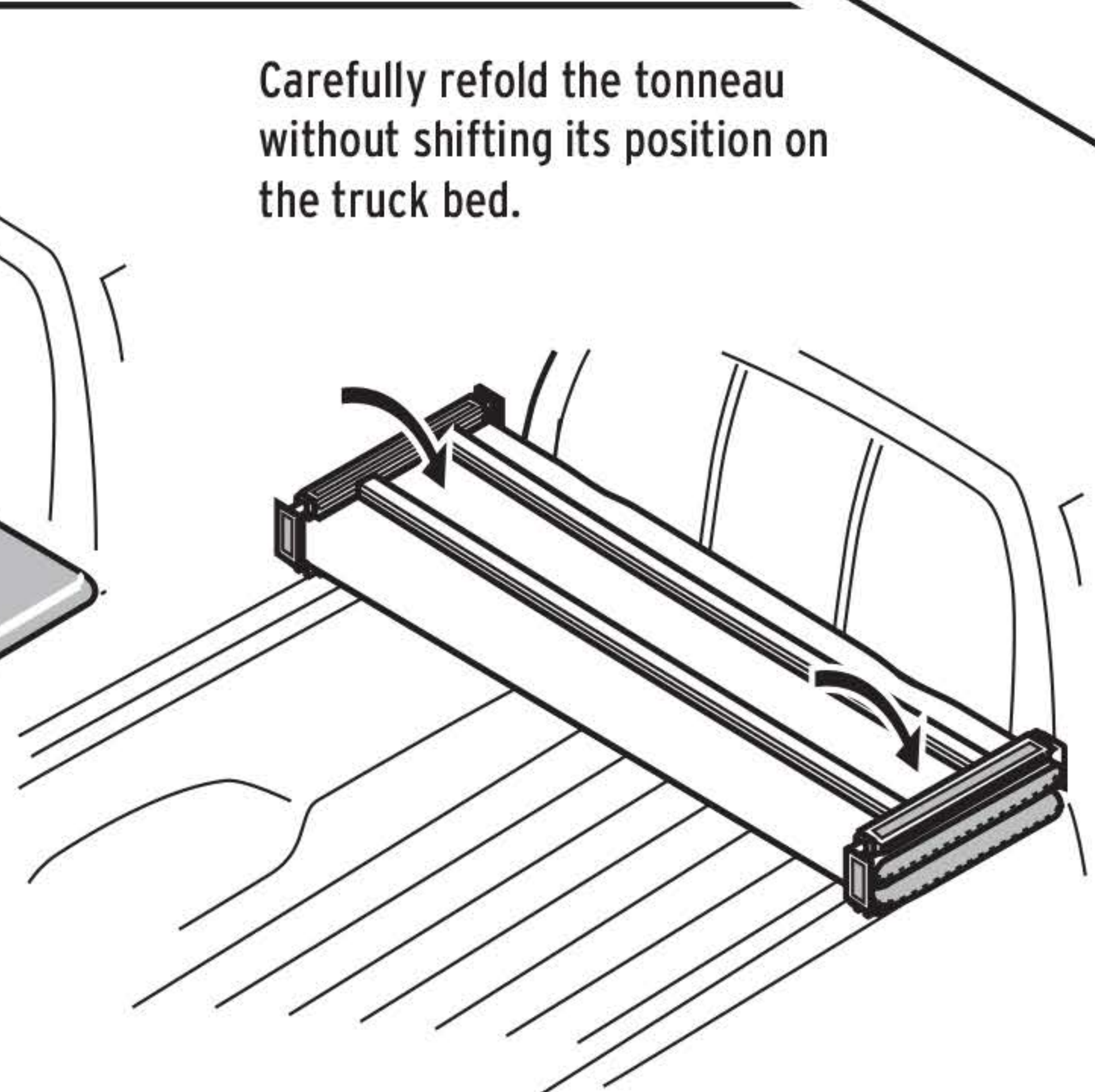
1 Wash truck bed.



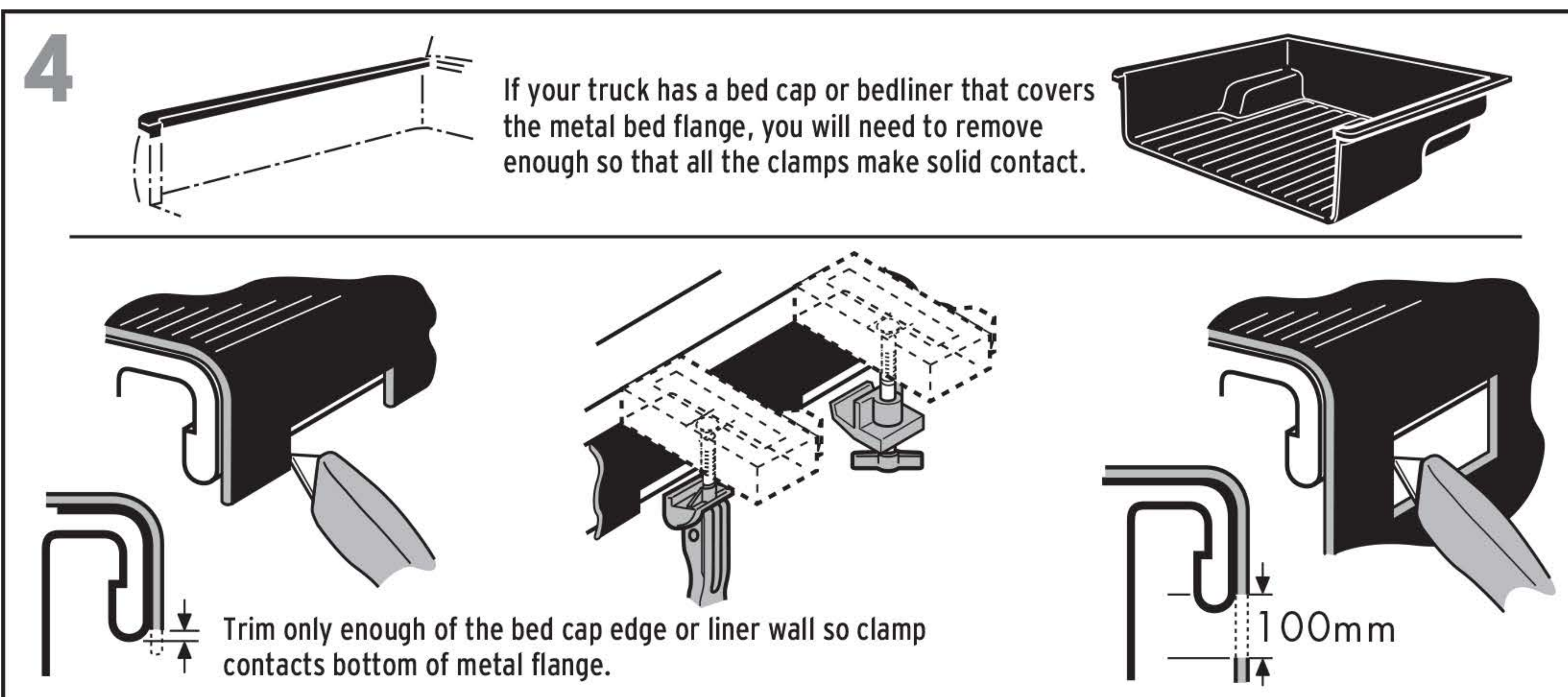
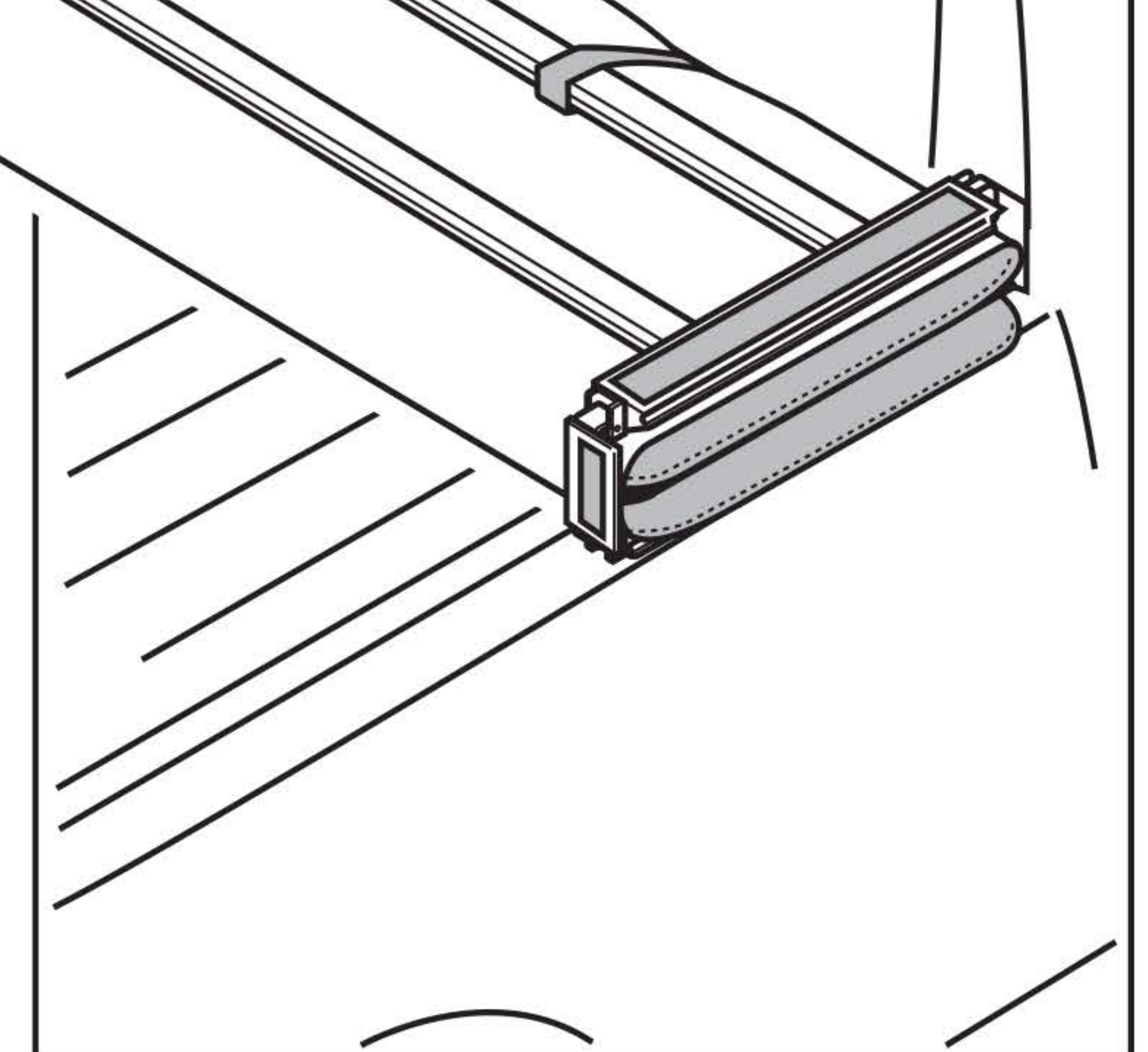
2 Place assembled tonneau over cab end of truck box.



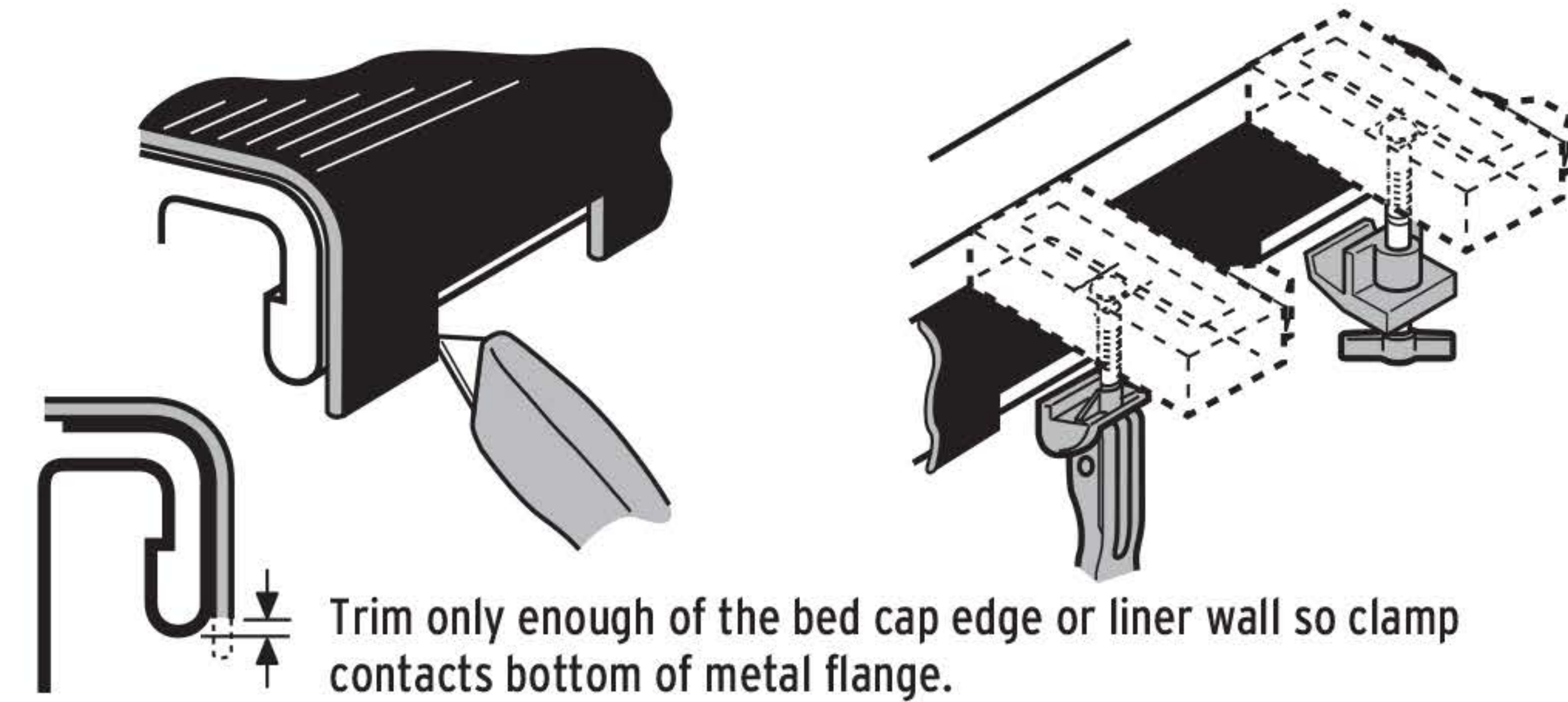
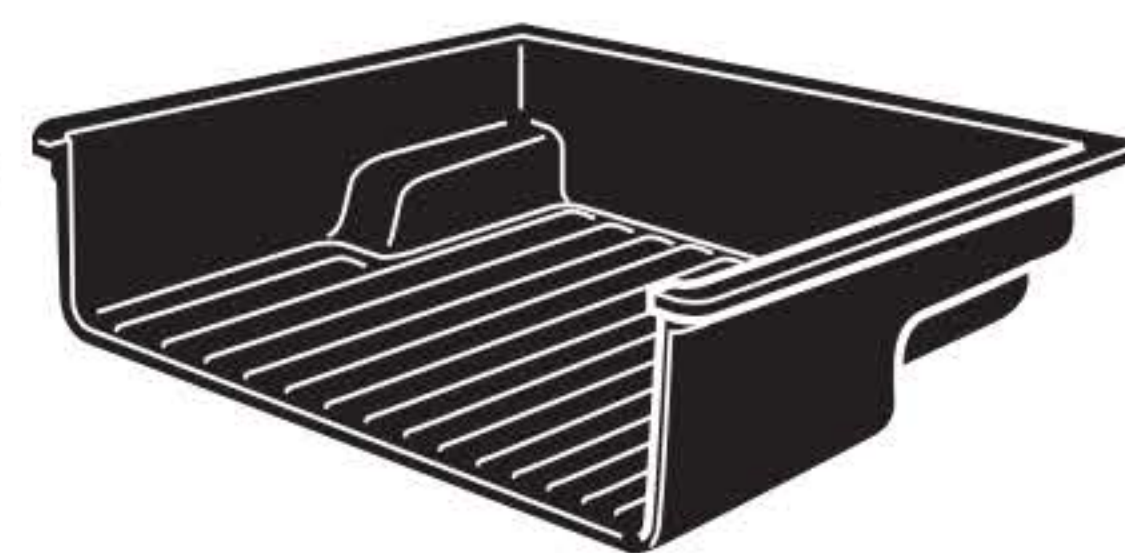
3 Unfold the tonneau fully and adjust position over the truck bed for proper cab/tail alignment.



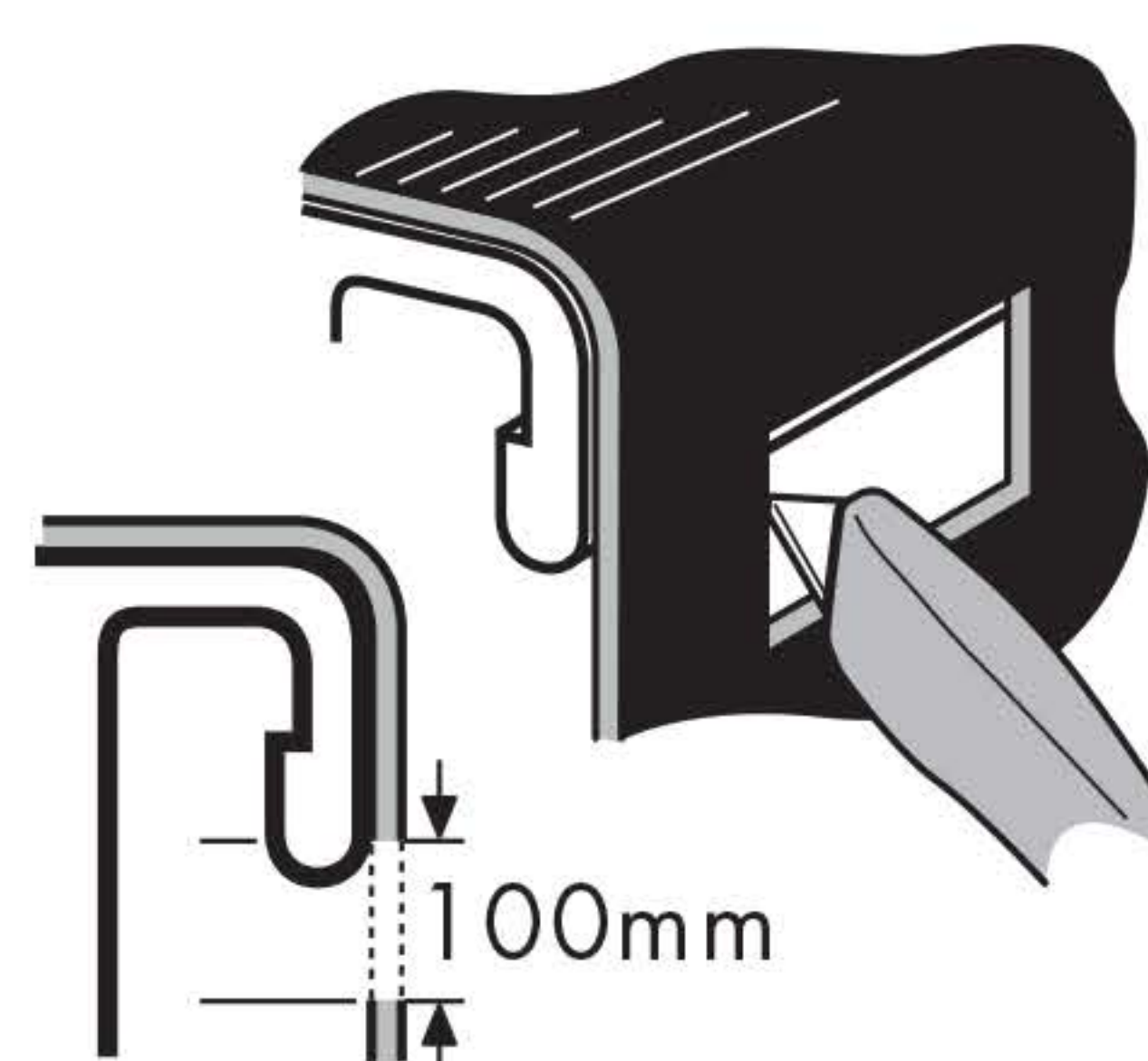
Carefully refold the tonneau without shifting its position on the truck bed.



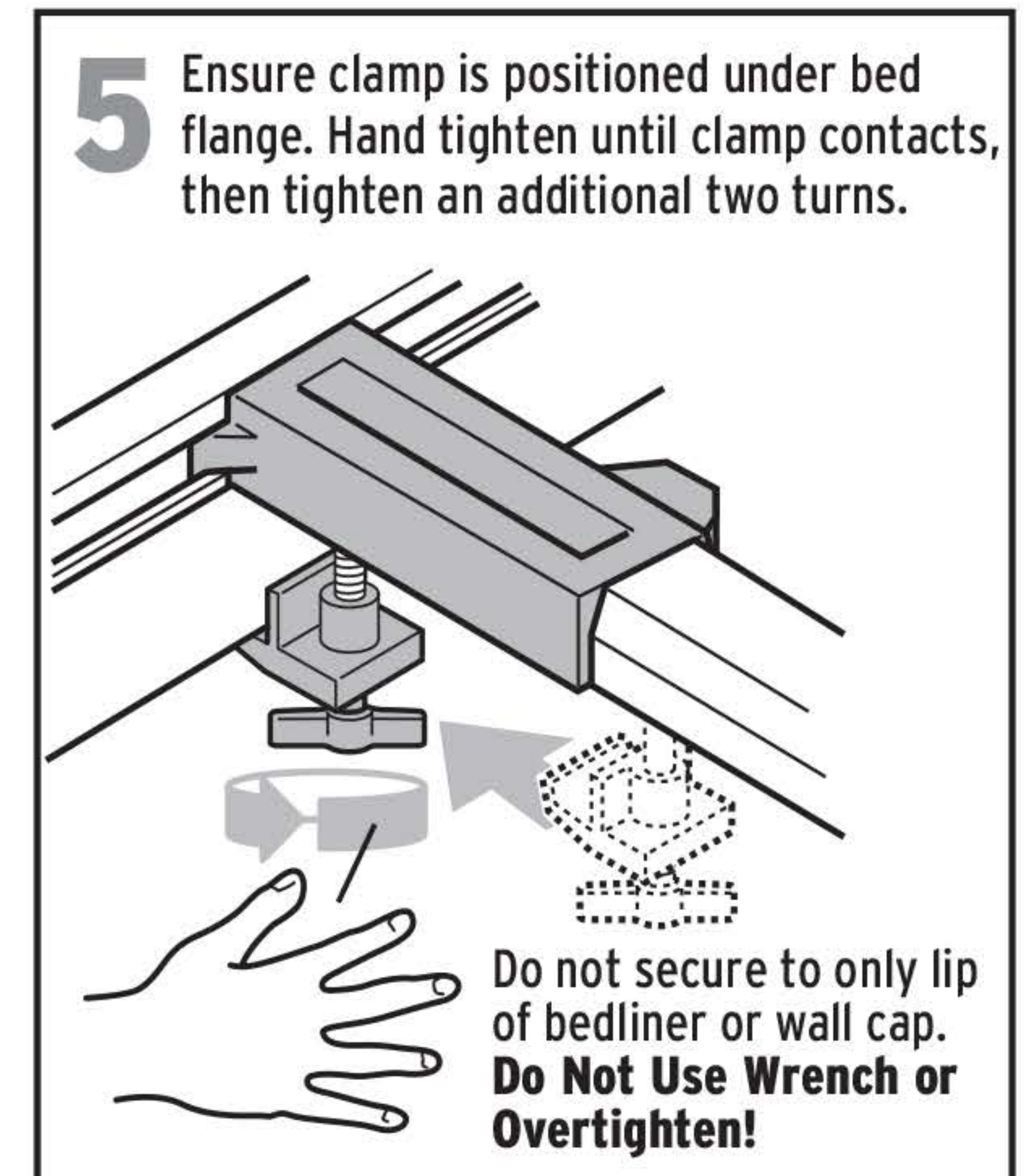
4 If your truck has a bed cap or bedliner that covers the metal bed flange, you will need to remove enough so that all the clamps make solid contact.



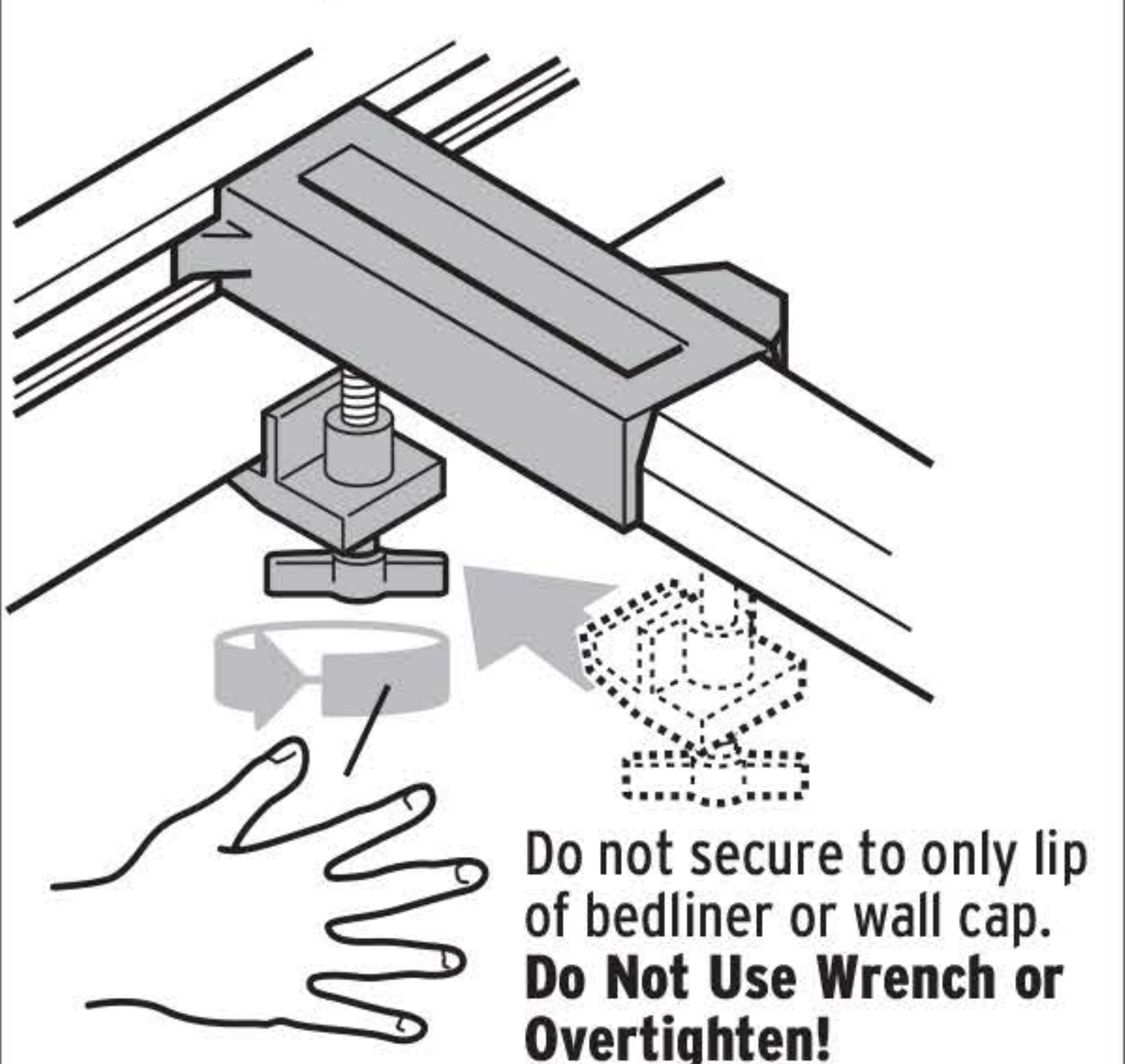
Trim only enough of the bed cap edge or liner wall so clamp contacts bottom of metal flange.



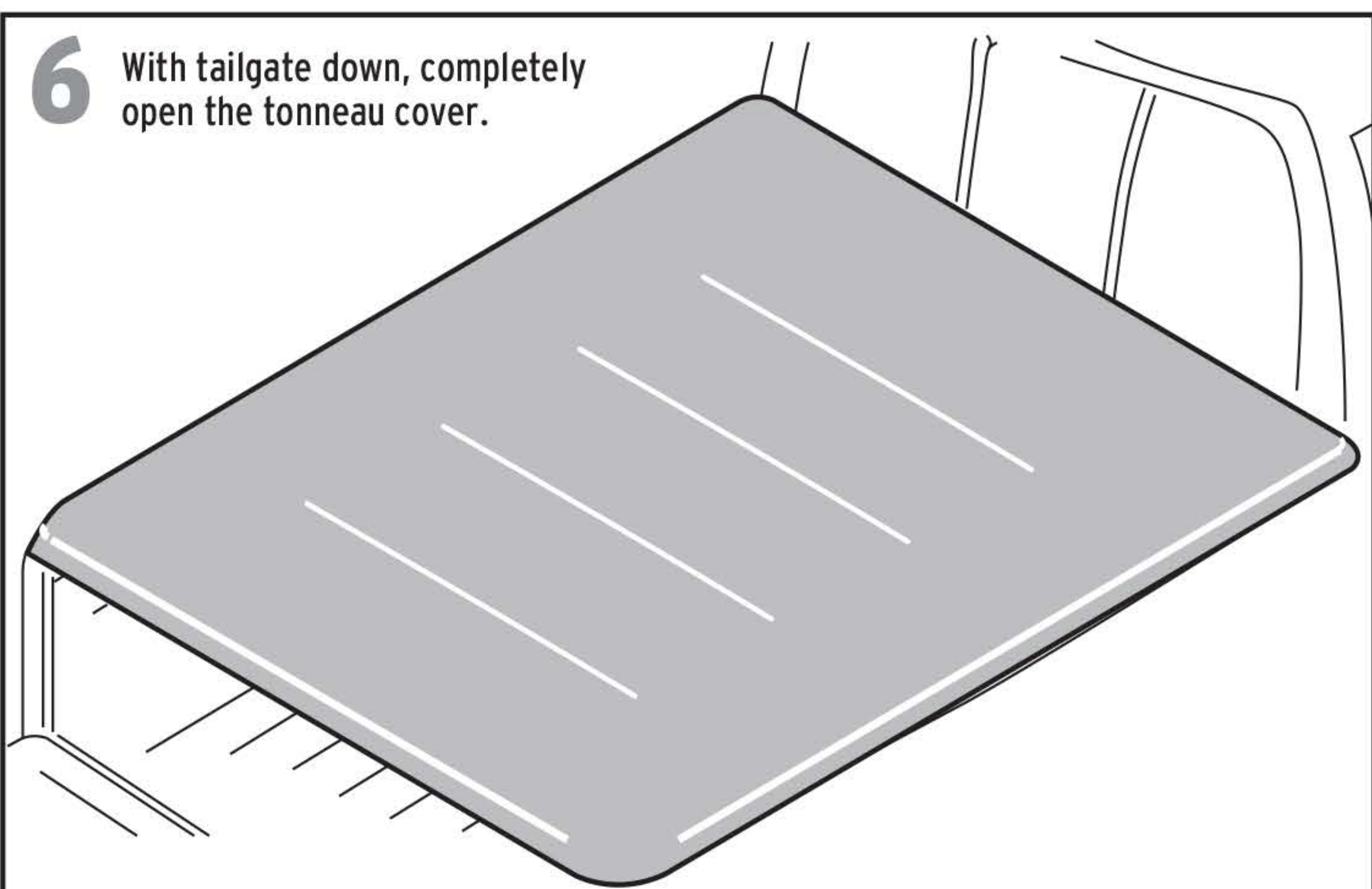
100mm



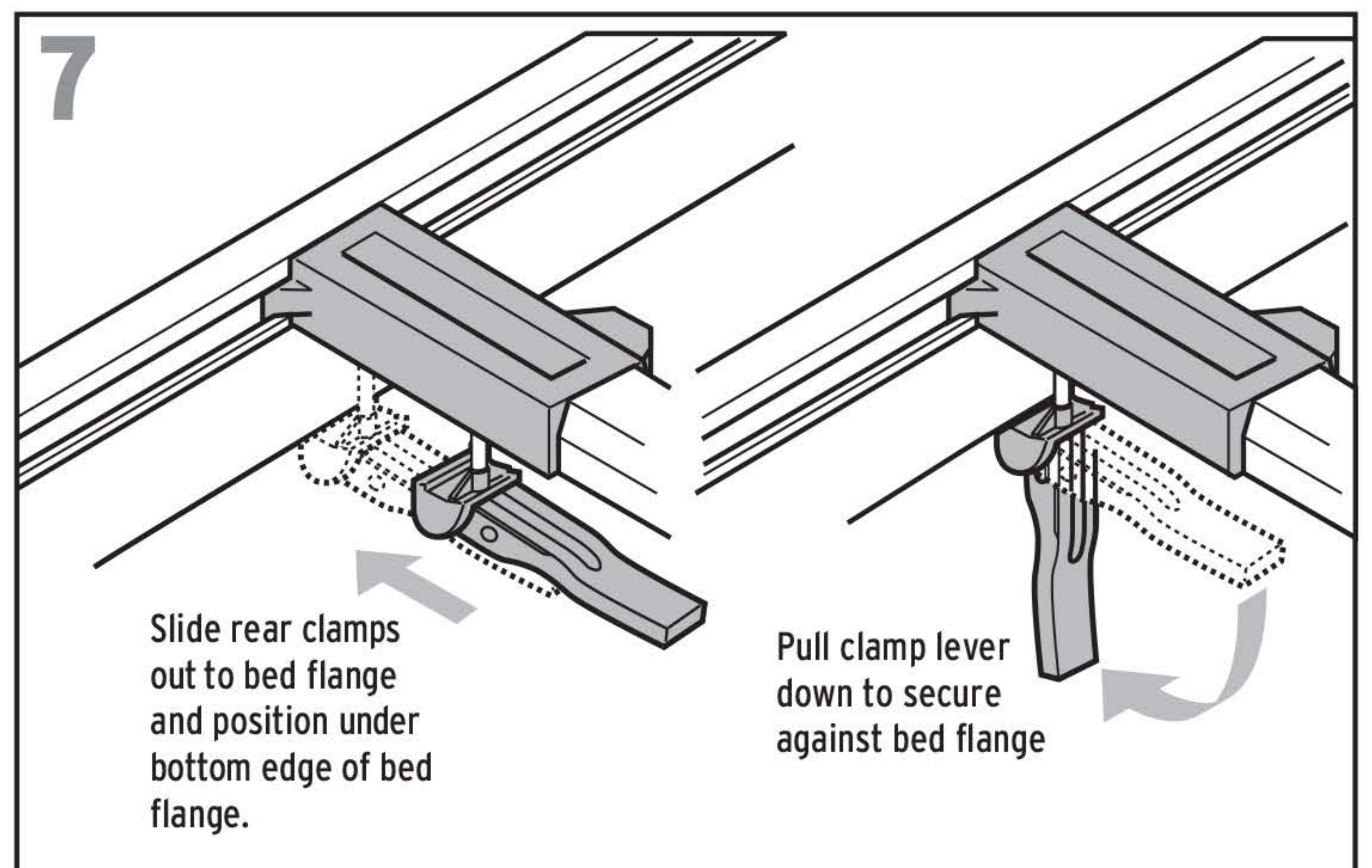
5 Ensure clamp is positioned under bed flange. Hand tighten until clamp contacts, then tighten an additional two turns.



Do not secure to only lip of bedliner or wall cap. **Do Not Use Wrench or Overtighten!**



6 With tailgate down, completely open the tonneau cover.



7 Slide rear clamps out to bed flange and position under bottom edge of bed flange.

Pull clamp lever down to secure against bed flange



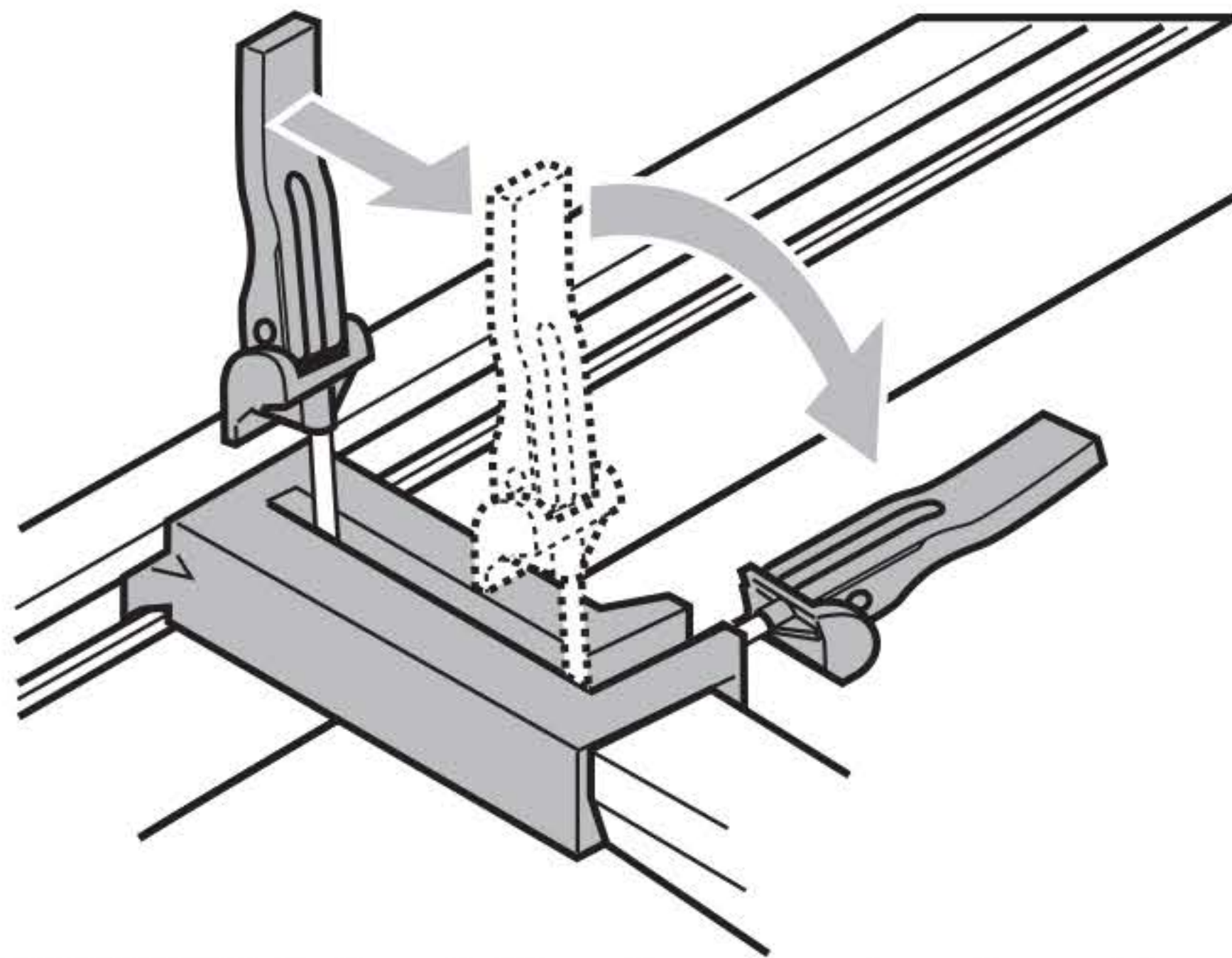
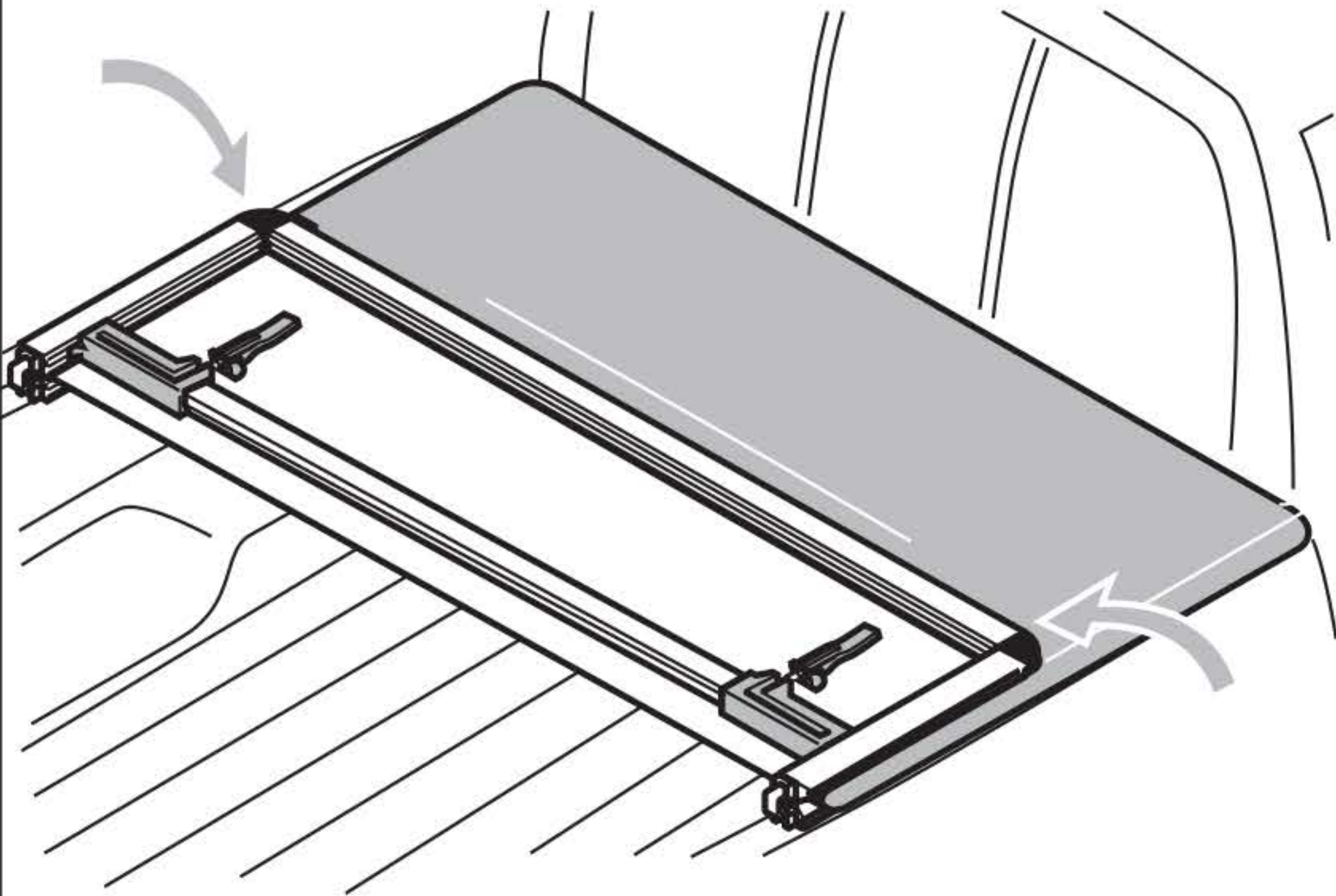
EAGLE SF COVER

WWW.EAGLETRUCKACCESSORIES.COM

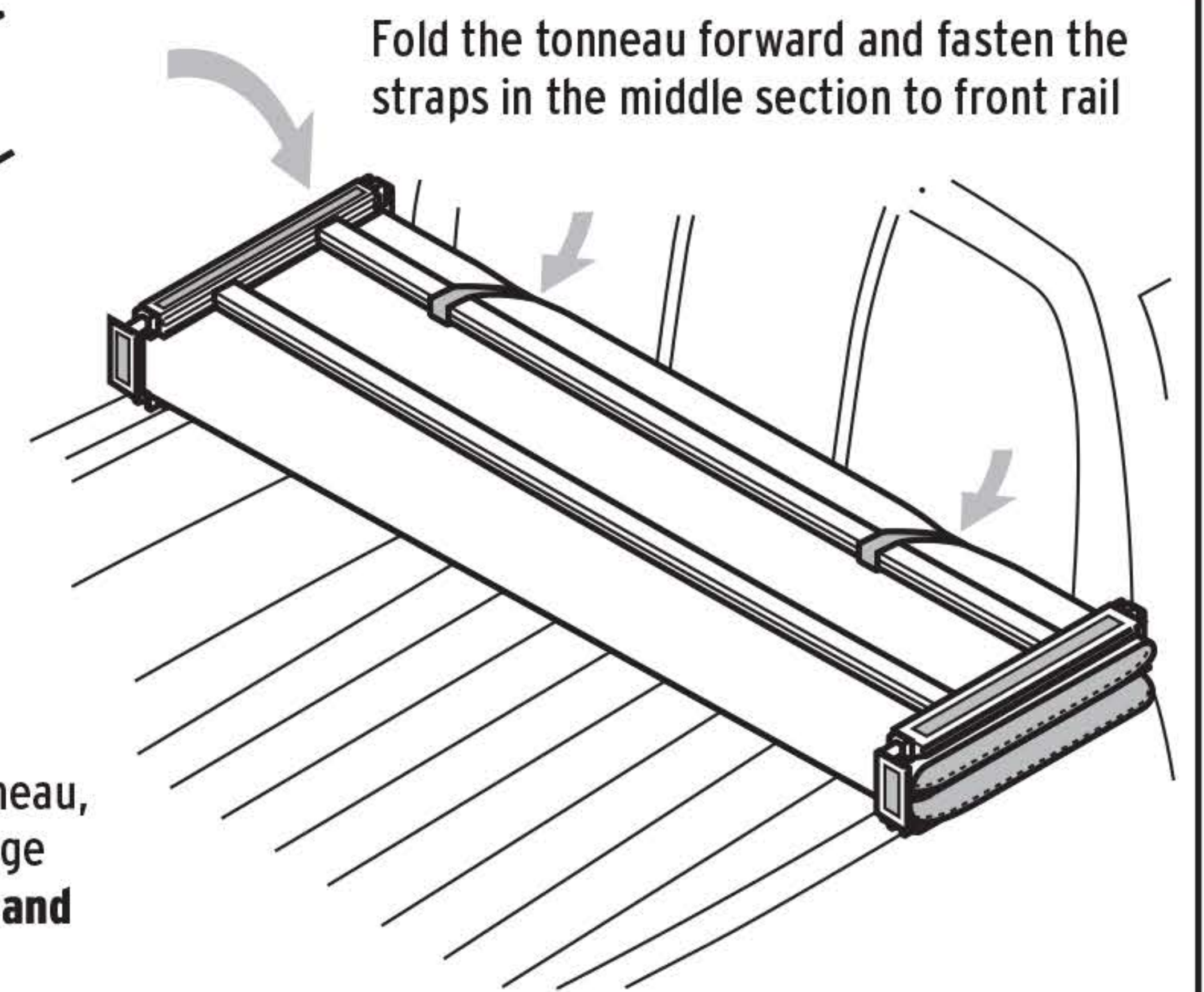
INSTALLATION SHEET

Parts will be shipped to you directly.
info@eagletruckaccessories.com

8 It is very convenient to drive with the Tri-Fold Tonneau open. Release the rear clamps and fold the tonneau forward.



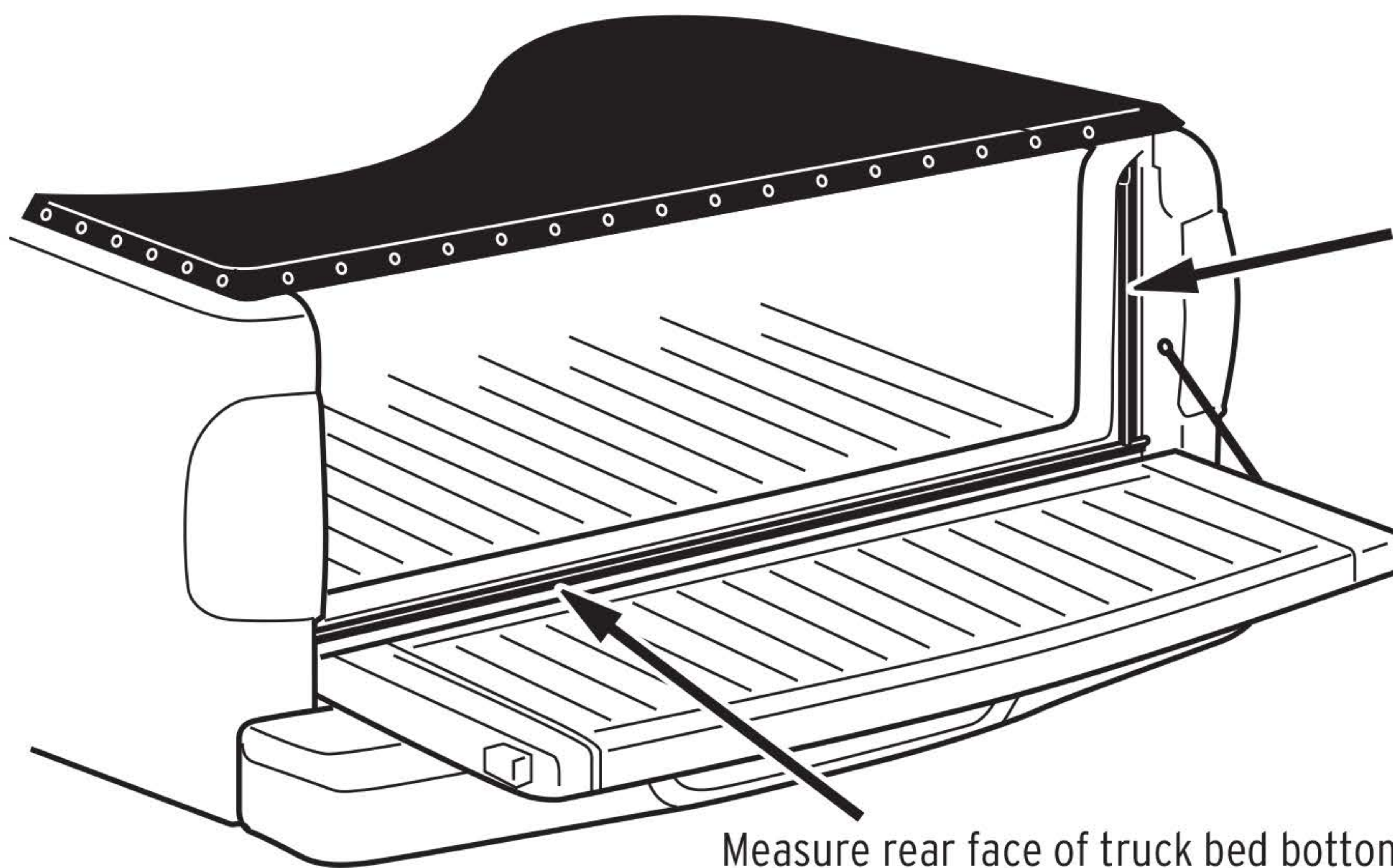
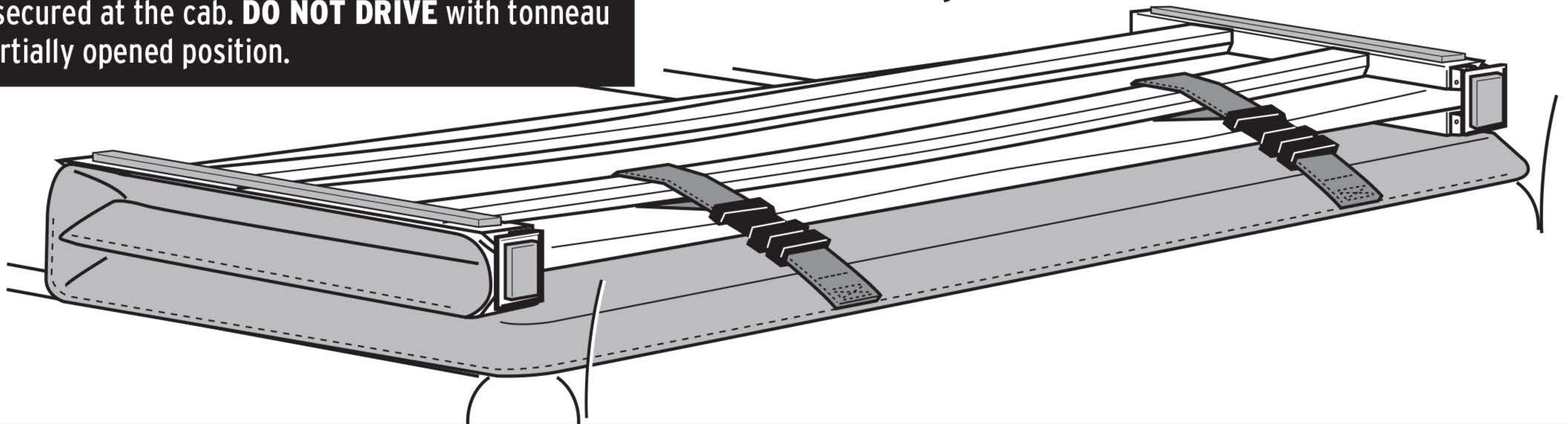
IMPORTANT: Before folding the second section of tonneau, rear clamps must be stowed into rail to prevent damage to fabric. **Failure to stow handle will puncture tarp and void warranty.**



Fold the tonneau forward and fasten the straps in the middle section to front rail

IMPORTANT NOTICE: While driving, tonneau must be completely flat and secure with all 4 clamps in the closed position or completely folded up (all panels) and secured at the cab. **DO NOT DRIVE** with tonneau in partially opened position.

NOTE: Tarp can not be removed from aluminum frame. Attempting to do so will cause damage and void the warranty. Remove any snow or foreign matter before folding over.



Measure and cut seal for each side wall from truck bed seal to top of sidewall frame.

Measure rear face of truck bed bottom and cut Tailgate Seal to fit from sidewall to sidewall. Remove release strip from adhesive tape and apply seal, starting at one end. **DO NOT STRETCH SEAL WHEN APPLYING.**